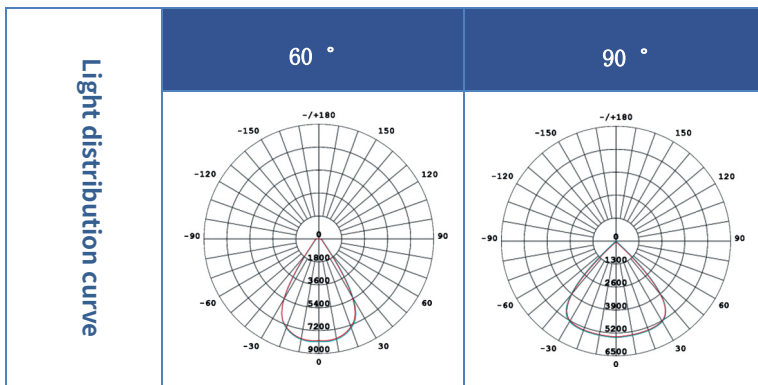


Professional Sport Flood lighting TF8D Series

Advantage

- Honeycomb&whole structure heat dissipation technic
- Guarantee efficiency luminance for 5 years
- Pass related anti-wind&anti-vibrating test
- Add anti-falling device
- Pass salt spray corrosion test
- 107 different light distribution,suit for different sport field
- high luminance efficiency,High color rendering,anti-blue light ,no strobe
- Lightweight design,reduce lamp pole load,easy maintain
- 360 rotary mounting bracket with angle mark
- could save 50% power than Metal halide lamp



Recommend Application:

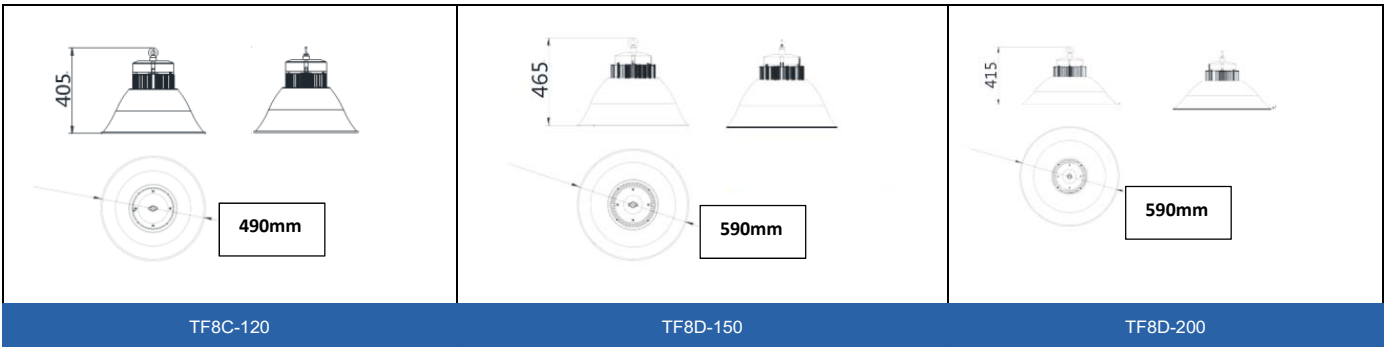
- Basketball stadium
- Tennis court
- Badminton hall
- volleyball court
- football field
- swim pool
- skating rank

Voltage	Power-supply efficiency	Power factor	Junction temperature	Color rendition index	Work Environment	Storage temperature
AC100V-277V	91%	0.95	<80°C	Ra70±5	-40°C~+50°C 10%~90%RH	-40°C~+50°C

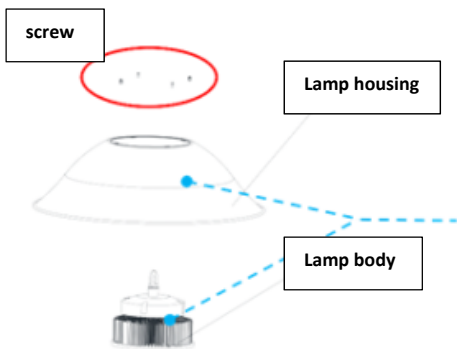
LED Lifetime	Surge voltage	Color temperature	Light source	Lamp body&housing material	IP Rating
>50000h	4kV	3000k\4000k\ 5000k\6000k\	Lumileds	Aluminium Alloy	LED Module IP68 Power IP67

Model	Power (W)	Luminous efficiency (lm/W)	Initial Luminance flux (lm)	Product size (mm)		Package size (mm)		Net weight		Gross weight	
				60 °	90 °	60 °	90 °	60 °	90 °	60 °	90 °
TF8C-120	120	140±8	16200±960	Φ490*405	Φ560*350	580*580*485	650*650*425	3.7	3.9	6.5	7.0
TF8D-150	150	155±8	23250±1200	Φ590*465	Φ710*415	680*680*530	795*795*485	5.7	6.3	9.5	10.5
TF8D-200	200	143±8	28600±1600	Φ590*465	Φ710*415	680*680*530	795*795*485	5.7	6.3	9.5	10.5

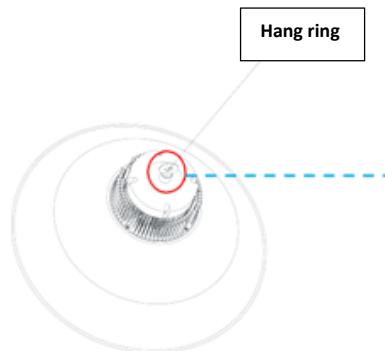
Product wireframe drawing



Installation Instruction



First, let lamp housing cover lamp body, then tighten screw



Second, please hang lamp on reserved buckle or hook, connect with power supply, connect with lamp electricity wire right, prevent wrong connection