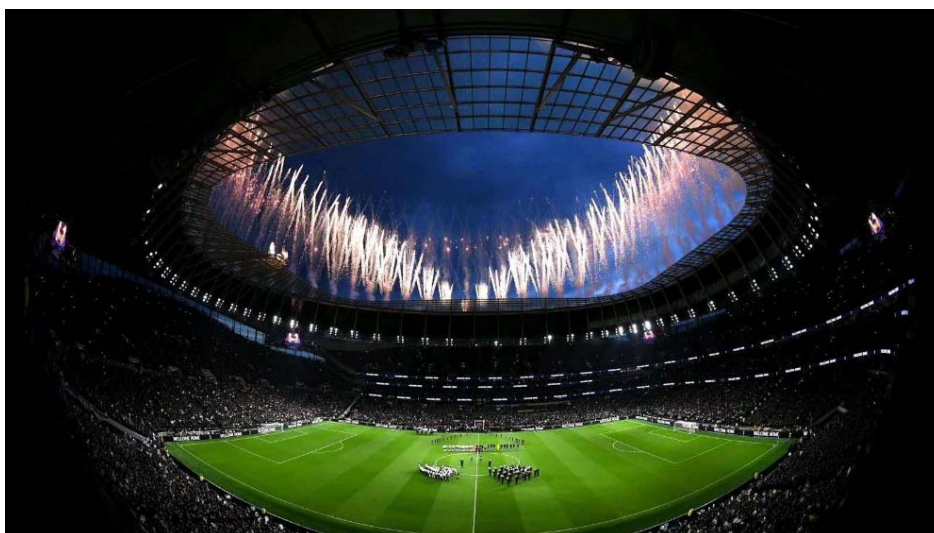
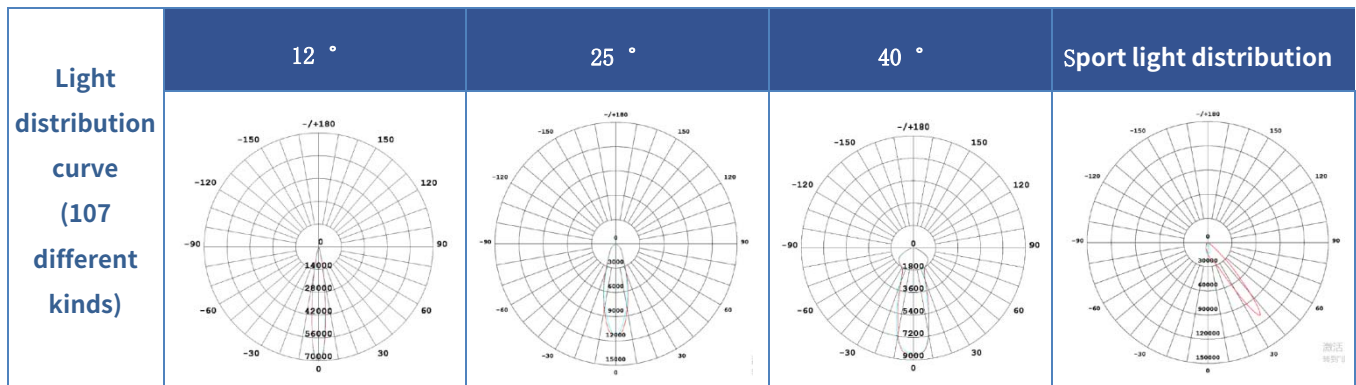


Professional Sport Flood lighting BC9F Series

Advantage



- Honeycomb&whole structure heat dissipation technic
- guarantee efficiency luminance for 5 years
- Pass related anti-wind&anti-vibrating test
- Add anti-falling device
- Pass salt spray corrosion test
- 107 different light distribution,suit for different sport field
- high luminous efficiency,High color rendering,anti-blue light ,no strobe
- Lightweight design,reduce lamp pole load,easy maintain
- 360 rotary mount bracket with angle mark
- could save 50% power than Metal halide lamp



Recommend Application:

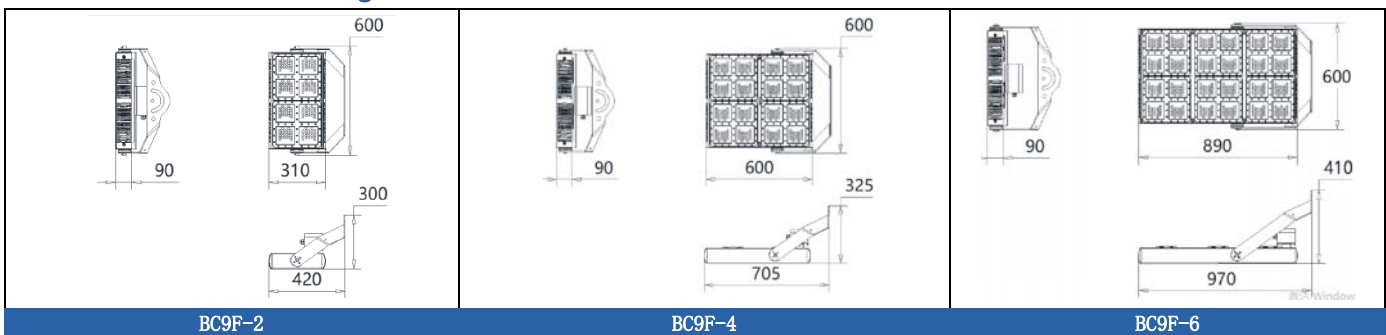
- Basketball stadium,
- Tennis court,
- Badminton hall,
- volleyball court,
- football field,
- swim pool,
- skating rank and so on

Voltage	Power-supply efficiency	Power factor	Junction temperature	Color rendition index	Work Environment	Storage temperature
AC100V-277V	91%	0.95	<80°C	Ra70±5	-40°C~+50°C 10%~90%RH	-40°C~+50°C

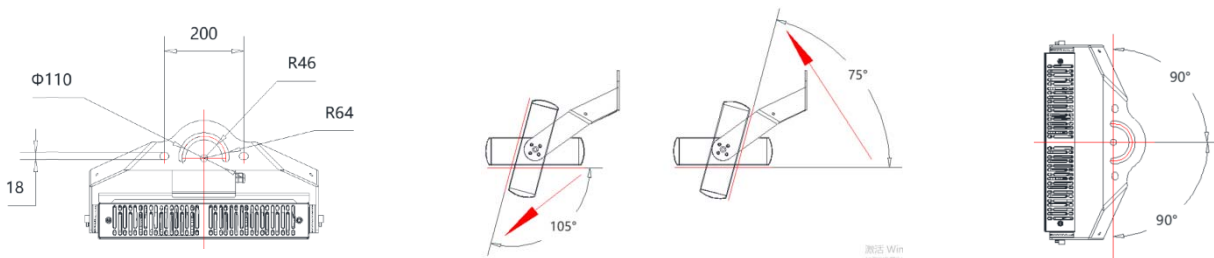
LED Lifetime	Surge voltage	Color temperature	Light source	Lamp body&housing material	IP RATING
>50000h	4KV	3000k\4000k\ 5000k\6000k\	Lumileds	Aluminium Alloy	LEDModuleIP 68 Power IP67

Model	Power (W)	Luminous efficiency	Initial Luminance Flux (lm)	Product size (mm)	Package size (mm)	Net weight (kg)	Gross weight (kg)
BC9F-2	500W	120±5	36000±1200	300*350*290	390*405*190	6.2	6.9
BC9F-4	1000W	120±5	45000±1500	300*430*355	425*505*225	11.2	11.5
BC9F-6	1500W	120±5	54000±1800	300*480*355	425*575*225	12.2	13.9

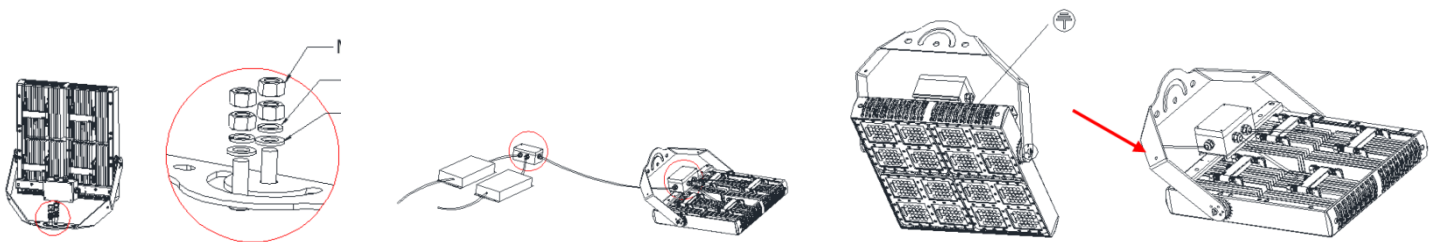
Product wireframe drawing



Mounting bracket instruction



Installation Instruction



First, using screw to install lamp on the wall(or other install surface) ;

Second, please connect lamp electricity wire with AC electricity wire (make sure earth wire connect with ground reliably) ;

Last, adjust lamp install angle by adjusting.

bracket, then fix it by screw when it is ok